



**EN ENGLISH**

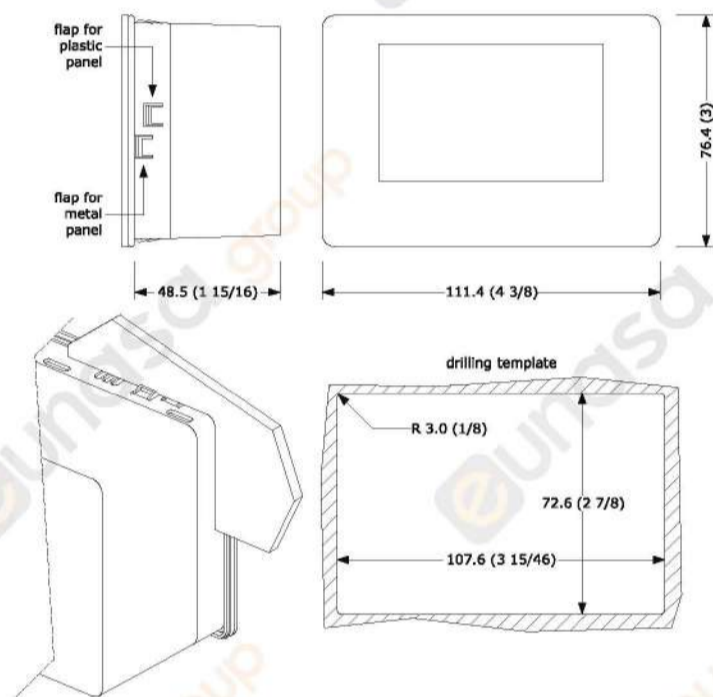
- Controllers for low temperature units.
- Power supply 12 VAC/DC.
- Incorporated clock (according to the model).
- Cabinet probe and evaporator probe (PTC/NTC).
- Door switch input.
- Compressor relay 16 A res. @ 250 VAC or 30 A res. @ 250 VAC (according to the model).
- Alarm buzzer.
- TTL MODBUS slave port for EVconnect app, EPoCA remote monitoring system or for BMS.
- Port for SD card data-logger module EVBD05 (according to the model).
- Models in plastic container or open-frame (according to the model).

**1 MEASUREMENTS AND INSTALLATION | Measurements in mm (inches)**

**1.1 Models in plastic container**

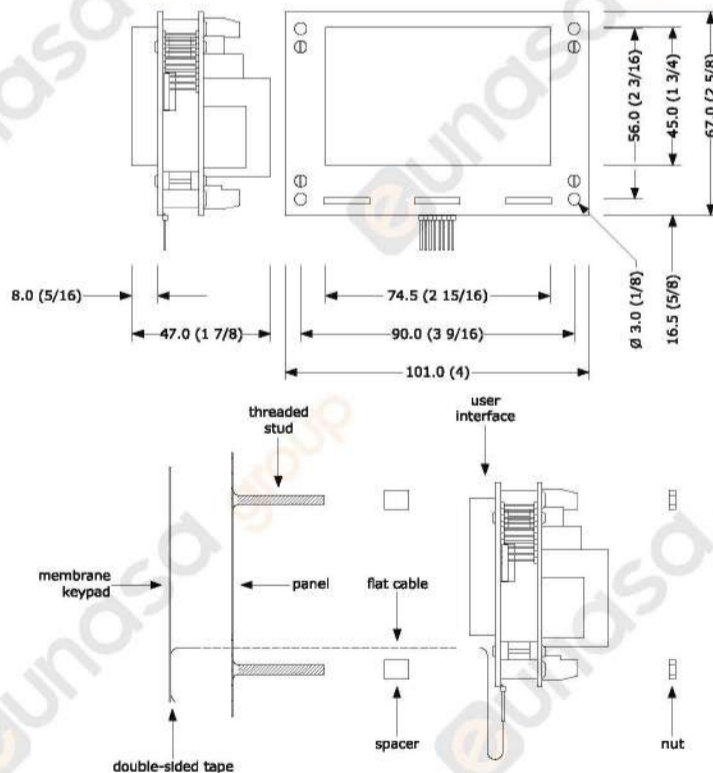
To be fitted to a panel, with elastic holding flaps.

N.B. The thickness of a metal panel must be between 0.8 and 1.5 mm (1/32 and 1/16 in), while that for a plastic panel must be between 0.8 and 3.4 mm (1/32 and 1/8 in).



**1.2 Open-frame models**

To be installed from behind, with threaded studs and membrane keypad.

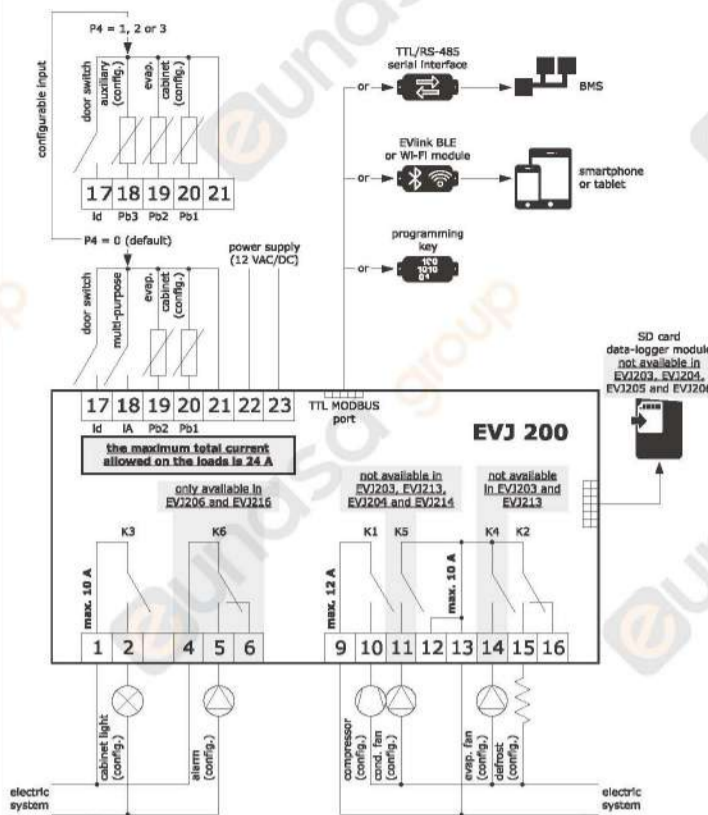


**INSTALLATION PRECAUTIONS**

- Ensure that the working conditions are within the limits stated in the **TECHNICAL SPECIFICATIONS** section.
- Do not install the device close to heat sources, equipment with a strong magnetic field, in places subject to direct sunlight, rain, damp, excessive dust, mechanical vibrations or shocks.
- In compliance with safety regulations, the device must be installed properly to ensure adequate protection from contact with electrical parts. All protective parts must be fixed in such a way as to need the aid of a tool to remove them.

**2 ELECTRICAL CONNECTION**

- N.B.
- Use cables of an adequate section for the current running through them.
  - To reduce any electromagnetic interference connect the power cables as far away as possible from the signal cables.



- PRECAUTIONS FOR ELECTRICAL CONNECTION**
- If using an electrical or pneumatic screwdriver, adjust the tightening torque.
  - If the device has been moved from a cold to a warm place, the humidity may have caused condensation to form inside. Wait about an hour before switching on the power.
  - Make sure that the supply voltage, electrical frequency and power are within the set limits. See the section **TECHNICAL SPECIFICATIONS**.
  - Disconnect the power supply before doing any type of maintenance.
  - Do not use the device as safety device.
  - For repairs and for further information, contact the EVCO sales network.

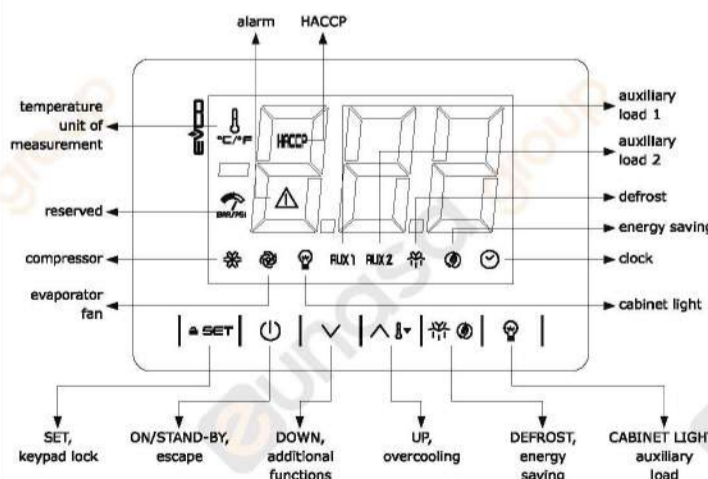
**3 FIRST-TIME USE**

1. Install following the instructions given in the section **MEASUREMENTS AND INSTALLATION**.
2. Power up the device and an internal test will be run. The test normally takes a few seconds, when it is finished the display will switch off.
3. Configure the device as shown in the section **Setting configuration parameters**. Recommended configuration parameters for first-time use.

PAR.	DEF.	PARAMETER	MIN... MAX.
SP	0.0	setpoint	r1... r2
P0	1	probe type	0 = PTC 1 = NTC
P2	0	temperature unit of measurement	0 = °C 1 = °F
d1	0	defrost type	0 = electric 1 = hot gas 2 = compressor stopped

4. Then check that the remaining settings are appropriate; see the section **CONFIGURATION PARAMETERS**.
5. Disconnect the device from the mains.
6. Make the electrical connection as shown in the section **ELECTRICAL CONNECTION** without powering up the device.
7. For the connection in an RS-485 network connect the interface EVIF22TSX or EVIF23TSX, to activate real time functions in EVJ203, EVJ204, EVJ205 and EVJ206 connect the module EVIF23TSX, for recording HACCP data in CSV format on SD card connect the module EVBD05, to use the device with the EPoCA remote monitoring system, connect the EVIF25TWX module, to use the device with the Android APP EVconnect connect the interface EVIF25TBX; see the relevant instruction sheets. **If EVIF22TSX or EVIF23TSX is used, set parameter BLE to 0.**
8. Power up the device.

**4 USER INTERFACE AND MAIN FUNCTIONS**



**4.1 Switching the device on and off**

1. If POF = 1 (default), touch the ON/STAND-BY key for 2s. If the device is switched on, the display will show the P5 value ("cabinet temperature" default); if the display shows an alarm code, see the section **ALARMS**.

LED	ON	OFF	FLASHING
☀	compressor on	compressor off	- compressor protection active - setpoint being set
🌀	evaporator fan on	evaporator fan off	evaporator fan stop active
💡	cabinet light on	cabinet light off	cabinet light on by digital input
AUX 1	auxiliary function 1 on	auxiliary function 1 off	- auxiliary function 1 on by digital input - auxiliary function 1 delay active
AUX 2	auxiliary function 2 on	auxiliary function 2 off	- auxiliary function 2 on by digital input - auxiliary function 2 delay active
❄	defrost or pre-drip active	-	- defrost delay active - dripping active
🕒	- energy saving active - low consumption active	-	-

🕒	view time	-	set date, time and day of the current week
🌡	view temperature	-	overcooling or overheating active
HACCP	saved HACCP alarm	-	new HACCP alarm saved
⚠	alarm active	-	-

If Loc = 1 (default) and 30s have elapsed without the keys being pressed, the display will show the "Loc" label and the keypad will lock automatically.

**4.2 Unlock keypad**

Touch a key for 1s: the display will show the label "UnL".

**4.3 Set the setpoint (if r3 = 0, default)**

Check that the keypad is not locked.

1. Touch the SET key.
2. Touch the UP or DOWN key within 15s to set the value within the limits r1 and r2 (default "-40... 50").
3. Touch the SET key (or do not operate for 15s).

**4.4 Activate manual defrost (if r5 = 0, default)**

Check that the keypad is not locked and that overcooling is not active.

1. Touch the DEFROST key for 2s.

If P3 = 1 (default), defrost is activated provided that the evaporator temperature is lower than the d2 threshold.

**4.5 Cabinet light on/off (if u1c... u6c = 5)**

1. Touch the CABINET LIGHT key.

**4.6 Button-operated load on/off (if u1c... u6c = 10 or 11)**

1. Touch the CABINET LIGHT key (for 2s if u1c... u6c = 5).

If u1c... u6c = 6, the demisting switch on for the u6 duration.

**4.7 Silence buzzer (if u9 = 1, default)**

Touch a key.

If u1c... u6c = 11 and u4 = 1, the alarm output is deactivated.

**5 ADDITIONAL FUNCTIONS**

**5.1 Activate/deactivate overcooling and overheating**

Check that the keypad is not locked.

1. Touch the UP key for 2s.

FUNCTION	CONDITION	CONSEQUENCE
overcooling	r5 = 0 and defrost not active	the setpoint becomes "setpoint - r6", for the r7 duration
overheating	r5 = 1	the setpoint becomes "setpoint + r6", for the r7 duration

**5.2 Activate/deactivate energy saving in manual mode (if r5 = 0)**

Check that the keypad is not locked.

1. Touch the DEFROST key.

The setpoint becomes "setpoint + r4", at maximum for HE2 duration.

**5.3 Activate the high or low humidity functions (if F0 = 5)**

Check that the keypad is not locked.

1. Touch the DOWN key for 1s.
2. Touch the UP or DOWN key within 15s to select the label "rH".
3. Touch the SET key for 2s until the display shows the right label for the function (only touch the key to see the function activated).

LAB.	DESCRIPTION
rHL	low humidity function (evaporator fan with F17 and F18 if the compressor is off, on if the compressor is on)
rHH	high humidity function (evaporator fan on)

4. Touch the ON/STAND-BY key (or do not operate for 60s) to exit the procedure.

**5.4 View/delete HACCP alarm information (not available in EVJ203, EVJ204, EVJ205 and EVJ206)**

Check that the keypad is not locked.

1. Touch the DOWN key for 1s.
2. Touch the UP or DOWN key within 15s to select a label.

LAB.	DESCRIPTION
LS	view HACCP alarm information
rLS	delete HACCP alarm information

3. Touch the SET key.
4. Touch the UP or DOWN key to select an alarm code (to select label "LS") or to set "149" (to select label "rLS").

COD.	DESCRIPTION
AL	low temperature alarm
AH	high temperature alarm
Id	open door alarm (if i4 = 1)
PF	power failure alarm (available in EVJ213, EVJ214, EVJ215 and EVJ216 or in EVJ203, EVJ204, EVJ205 and EVJ206 with interface EVIF25TBX connected)

5. Touch the SET key.
6. Touch the ON/STAND-BY key (or do not operate for 60s) to exit the procedure.

Example of alarm information (e.g. a high temperature alarm).

8.0	critical value (calculated cabinet/product temperature) was 8.0 °C/°F
Sta	(available in EVJ213, EVJ214, EVJ215 and EVJ216 or in EVJ203, EVJ204, EVJ205 and EVJ206 with interface EVIF25TBX connected)
y15	alarm signalled in 2015
n03	alarm signalled in March
d26	alarm signalled on 26 March 2015
h16	alarm signalled at 16:00
n30	alarm signalled at 16:30
dur	
h01	alarm lasted 1h
n15	alarm lasted 1h 15min

**5.5 View/delete compressor functioning hours**

Check that the keypad is not locked.

1. Touch the DOWN key for 1s.
2. Touch the UP or DOWN key within 15s to select a label.

LAB.	DESCRIPTION
CH1	view compressor functioning hundreds of hours
CH2	view second compressor functioning hundreds of hours (if u1c... u6c = 1)

3.		Touch the SET key.
4.		Touch the UP or DOWN key to set "149" (to select rCH).
5.		Touch the SET key.
6.		Touch the ON/STAND-BY key (or do not operate for 60s) to exit the procedure.

**5.6 View the temperature detected by the probes**  
Check that the keypad is not locked.

1.		Touch the DOWN key for 1s.
2.		Touch the UP or DOWN key within 15s to select a label.

LAB.	DESCRIPTION
Pb1	cabinet temperature (if P4 = 0, 1 or 2)
Pb2	inlet air temperature (if P4 = 3)
Pb3	evaporator temperature (if P3 = 1 or 2)
Pb4	auxiliary temperature (if P4 = 1, 2 or 3)
Pb4	calculated product temperature (CPT; if P4 = 3)

3.		Touch the SET key.
4.		Touch the ON/STAND-BY key (or do not operate for 60s) to exit the procedure.

**6 DATA-LOGGER MODULE on SD CARD (not available in EVJ203, EVJ204, EVJ205 and EVJ206)**

**6.1 Initial information**  
The data-logger module makes it possible to write information about the device on an SD card (in CSV format), in HACCP or service mode.  
Date-logger module configuration parameters.

PAR.	DEF.	PARAMETER	MIN... MAX.
Sd0	30	SD card writing interval in HACCP mode	1... 30 min
Sd1	1	SD card writing interval in service mode	1... 30 min
Sd2	60	service mode duration	1... 240 min
Sd3	0	enable critical temperature recording	0 = no 1 = yes
Sd4	0	enable cabinet temperature recording	0 = no 1 = yes
Sd5	1	decimal separator type	0 = comma 1 = point

**6.2 Writing in HACCP mode**  
Writing in HACCP mode is always activated, it generates a daily file and a monthly file.  
Information written in HACCP mode:

- cabinet temperature (if Sd4 = 1, default "no")
- critical temperature (if Sd3 = 1, default "no")
- device switched on/off
- defrost activated/completed
- energy saving activated/deactivated
- alarm activated/restored
- power supply restored

The date and time is written for each piece of information.

**6.3 Writing in service mode**  
Writing in service mode must be manually activated.  
Information written in service mode:

- temperature detected by all probes
- enable/disable probes
- device switched on/off
- functions on/off
- defrost activated/completed
- energy saving activated/deactivated
- alarm activated/restored
- power supply restored

The date and time is written for each piece of information.

**6.4 Activate/deactivate writing in service mode**  
Check that the keypad is not locked.

1.		Touch the DOWN key for 1s.
2.		Touch the UP or DOWN key within 15s to select the label "SER".
3.		Touch the SET key.
4.		Touch the UP or DOWN key within 15s to set "1" (activate writing) or "0" (deactivate writing).
5.		Touch the ON/STAND-BY key (or do not operate for 60s) to exit the procedure.

**6.5 File names**  
Example of a daily file name written in HACCP mode (e.g. the file "log001\_2015\_03\_26.csv").

```
001 : the device address is 1 (parameter LA)
2015 : the file was written in 2015
03 : the file was written in March
26 : the file was written on 26 March 2015
```

Example of a monthly file name written in HACCP mode (e.g. the file "log001\_2015\_m03.csv").

```
001 : the device address is 1 (parameter LA)
2015 : the file was written in 2015
m03 : the file was written in March 2015
```

Example of a file name written in service mode (e.g. the file "log001\_2015\_0001.csv").

```
001 : the device address is 1 (parameter LA)
2015 : the file was written in 2015
0001 : sequence number
```

**6.6 View data-logger module alarms**  
Check that the keypad is not locked.

1.		Touch the DOWN key for 1s.
2.		Touch the UP or DOWN key within 15s to select the label "Err".
3.		Touch the SET key.
4.		Touch the UP or DOWN key within 15s to see the alarm code.

LAB.	DESCRIPTION
FUL	no space left on SD card alarm
Sd	SD card not inserted or not recognised alarm

5.		Touch the ON/STAND-BY key (or do not operate for 60s) to exit the procedure.
----	--	--

**7 SETTINGS**

**7.1 Setting configuration parameters**

1.		Touch the SET key for 4s; the display will show the label "PA".
2.		Touch the SET key.
3.		Touch the UP or DOWN key within 15s to set the PAS value (default "19").
4.		Touch the SET key (or do not operate for 15s); the display will show the label "SP".
5.		Touch the UP or DOWN key to select a parameter.
6.		Touch the SET key.
7.		Touch the UP or DOWN key within 15s to set the value.
8.		Touch the SET key (or do not operate for 15s).

9. **SET** Touch the SET key for 4s (or do not operate for 60s) to exit the procedure.

**7.2 Set the date, time and day of the week (available in EVJ213, EVJ214, EVJ215 and EVJ216 or in EVJ203, EVJ204, EVJ205 and EVJ206 with interface EVIF25TBX or EVIF25TWX connected)**

N.B.  
- If the device is connected to the interface EVIF25TBX, do not disconnect the device from the mains within two minutes since the setting of the time and day of the week.  
- If the device communicates with the APP EVconnect, the date, time and day of the week will automatically be set by the smartphone or tablet.

Check that the keypad is not locked.

1.		Touch the DOWN key for 1s.
2.		Touch the UP or DOWN key within 15s to select the label "rtc".
3.		Touch the SET key; the display will show the label "Y" followed by the last two figures of the year.
4.		Touch the UP or DOWN key within 15s to set the year.
5.	Repeat actions 3 and 4 to set the next labels.	

LAB.	MEANING OF THE NUMBERS FOLLOWING THE LABEL
n	month (01... 12)
d	day (01... 31)
h	time (00... 23)
n	minutes (00... 59)

6.		Touch the SET key; the display will show the label for the day of the week.
7.		Touch the UP or DOWN key within 15s to set the day of the week.

LAB.	DESCRIPTION
Mon	Monday
Tue	Tuesday
Wed	Wednesday
Thu	Thursday
Fri	Friday
Sat	Saturday
Sun	Sunday

8.		Touch the SET key; the device will exit the procedure.
9.		Touch the ON/STAND-BY key to exit the procedure beforehand.

**7.3 Reset the factory settings**

N.B.  
Check that the factory settings are appropriate; see the section **CONFIGURATION PARAMETERS**.

1.		Touch the SET key for 4s; the display will show the label "PA".
2.		Touch the SET key.
3.		Touch the UP or DOWN key within 15s to set "149".
4.		Touch the SET key (or do not operate for 15s); the display will show the label "dEF".
5.		Touch the SET key.
6.		Touch the UP or DOWN key within 15s to set "1".
7.		Touch the SET key (or do not operate for 15s).
8.	Interrupt the power supply to the device.	
9.		Touch the SET key for 2s before action 8 to exit the procedure beforehand.

**8 CONFIGURATION PARAMETERS**

N.	PAR.	DEF.	SETPOINT	MIN... MAX.
1	SP	0.0	setpoint	r1... r2
ANALOGUE INPUTS				
2	CA1	0.0	cabinet probe offset	-25... 25 °C/°F
3	CA2	0.0	evaporator probe offset	-25... 25 °C/°F
4	CA3	0.0	auxiliary probe offset	-25... 25 °C/°F
5	P0	1	probe type	0 = FTC 1 = NTC
6	P1	1	enable °C decimal point	0 = no 1 = yes
7	P2	0	temperature unit of measurement	0 = °C 1 = °F
8	P3	1	evaporator probe function	0 = disabled 1 = defrost + fan 2 = fan
9	P4	0	configurable input function	0 = digital input 1 = condenser probe 2 = critical temperature probe 3 = air out probe if P4 = 3, regulation temperature = product temperature (CPT)
10	P5	0	value displayed	0 = regulation temperature 1 = setpoint 2 = evaporator temperature 3 = auxiliary temperature 4 = air in temperature
11	P7	50	inlet air weight for calculated product temperature (CPT)	0... 100 % CPT = {[(P7 × (inlet air T))] + [(100 - P7) × (outlet air T)] : 100}
12	P8	5	display refresh time	0... 250 s : 10

N.	PAR.	DEF.	REGULATION	MIN... MAX.
13	r0	2.0	setpoint differential	1... 15 °C/°F
14	r1	-40	minimum setpoint	-99 °C/°F... r2
15	r2	50.0	maximum setpoint	r1... 199 °C/°F
16	r3	0	enable setpoint block	0 = no 1 = yes
17	r4	0.0	setpoint offset in energy saving	0... 99 °C/°F
18	r5	0	cooling or heating operation	0 = cooling 1 = heating
19	r6	0.0	setpoint offset in overcooling/overheating	0... 99 °C/°F
20	r7	0	overcooling/overheating duration	0... 240 min
21	r12	1	position of the r0 differential	0 = asymmetric 1 = symmetric

N.	PAR.	DEF.	COMPRESSOR	MIN... MAX.
22	C0	0	compressor on delay after power-on	0... 240 min
23	C1	5	delay between 2 compressor switch-ons	0... 240 min
24	C2	3	compressor off minimum time	0... 240 min
25	C3	0	compressor on minimum time	0... 240 s
26	C4	10	compressor off time during cabinet probe alarm	0... 240 min
27	C5	10	compressor on time during cabinet probe alarm	0... 240 min
28	C6	80.0	threshold for high condensation warning	0... 199 °C/°F differential = 2 °C/4 °F
29	C7	90.0	threshold for high condensation alarm	0... 199 °C/°F

N.	PAR.	DEF.	ALARMS	MIN... MAX.
30	C8	1	high condensation alarm delay	0... 15 min
31	C10	0	compressor hours for service	0... 999 h x 100 0 = disabled
32	C11	10	second compressor switch-on delay	0... 240 s
DEFROST (if r5 = 0)				
33	d0	8	automatic defrost interval	0... 99 h 0 = only manual if d8 = 3, maximum interval
34	d1	0	defrost type	0 = electric 1 = hot gas 2 = compressor stopped
35	d2	2.0	threshold for defrost end	-99... 99 °C/°F
36	d3	30	defrost duration	0... 99 min se P3 = 1, maximum duration
37	d4	0	enable defrost at power-on	0 = no 1 = yes
38	d5	0	defrost delay after power-on	0... 99 min
39	d6	1	value displayed during defrost	0 = regulation temperature 1 = display locked 2 = dEF label
40	d7	2	dripping time	0... 15 min
41	d8	0	defrost interval counting mode	0 = device on hours 1 = compressor on hours 2 = hours evaporator temperature < d9 3 = adaptive 4 = real time
42	d9	0.0	evaporation threshold for automatic defrost interval counting	-99... 99 °C/°F
43	d11	0	enable defrost timeout alarm	0 = no 1 = yes
44	d15	0	compressor on consecutive time for hot gas defrost	-20... 99 min if negative values, duration dripping heater on
45	d16	0	pre-dripping time for hot gas defrost	0... 99 min
46	d18	40	adaptive defrost interval	0... 999 min if compressor on + evaporator temperature < d22 0 = only manual
47	d19	3.0	threshold for adaptive defrost (relative to optimal evaporation temperature)	0... 40 °C/°F optimal evaporation temperature - d19
48	d20	180	compressor on consecutive time for defrost	0... 999 min 0 = disabled
49	d21	200	compressor on consecutive time for defrost after power-on and overcooling	0... 500 min if (regulation temperature - setpoint) > 10°C/20 °F 0 = disabled
50	d22	-2.0	evaporation threshold for adaptive defrost interval counting (relative to optimal evaporation temperature)	-10... 10 °C/°F optimal evaporation temperature + d22
51	d25	0	enable air out probe for defrost during evaporator probe alarm	0 = no 1 = yes
52	d26	6	defrost interval during evaporator probe alarm	0... 99 h 0 = only manual if d25 = 1

N.	PAR.	DEF.	FANS	MIN... MAX.
53	A0	0	select value for high/low temperature alarms	0 = regulation temperature 1 = evaporator temperature
54	A1	0.0	threshold for low temperature alarm	-99... 99 °C/°F
55	A2	0	low temperature alarm type	0 = disabled 1 = relative to setpoint 2 = absolute
56	A4	0.0	threshold for high temperature alarm	-99... 99 °C/°F
57	A5	0	high temperature alarm type	0 = disabled 1 = relative to setpoint 2 = absolute
58	A6	120	high temperature alarm delay after power-on	0... 240 min
59	A7	15	high/low temperature alarms delay	0... 240 min
60	A8	15	high temperature alarm delay after defrost	0... 240 min
61	A9	15	high temperature alarm delay after door closing	0... 240 min
62	A10	10	power failure duration for alarm recording (not available in EVJ203, EVJ204, EVJ205 and EVJ206)	0... 240 min
63	A11	2.0	high/low temperature alarms reset differential	1... 15 °C/°F
64	A12	0	power failure alarm notification type (not available in EVJ203, EVJ204, EVJ205 and EVJ206)	0 = HACCP LED 1 = HACCP LED + PF label + buzzer 2 = HACCP LED + PF label + buzzer (if duration > A10)

N.	PAR.	DEF.	FANS	MIN... MAX.
65	F0	1	evaporator fan mode during normal operation	0 = off 1 = on 2 = on if compressor on 3 = thermoregulated (with regulation temperature + F1) 4 = thermoregulated (with regulation temperature + F1) if compressor on 5 = according to F6 6 = thermoregulated (with F1) 7 = thermoregulated (with F1) if compressor on
66	F1	-4.0	threshold for evaporator fan operation	-99... 99 °C/°F
67	F2	0	evaporator fan mode during defrost and dripping	0 = off 1 = on 2 = according to F0
68	F3	2	evaporator fan off maximum time	0... 15 min def. 0 in EVJ203 ed EVJ213
69	F4	30	evaporator fan off time during energy saving	0... 240 s x 10 if F0 ≠ 5
70	F5	30	evaporator fan on time during energy saving	0... 240 s x 10 if F0 ≠ 5
71	F6	0	high/low humidity operation	0 = low humidity (with F17 and F18 if compressor off, on if compressor on) 1 = high humidity (on)
72	F7	5.0	threshold for evaporator fan on after dripping (relative to setpoint)	-99... 99 °C/°F setpoint + F7
73	F8	2.0	threshold for evaporator fan operation differential	1... 15 °C/°F
74	F9	10	evaporator fan off delay after compressor off	0... 240 s if F0 = 2 or 5

75	F10	1	condenser fan mode	0 = thermoregulated (with F11) 1 = thermoregulated (with F11) if compressor off, on if compressor on 2 = thermoregulated (with F11) if compressor off, on if compressor on, off during defrost, pre-dripping and dripping
76	F11	15.0	threshold for condenser fan on	0... 99 °C/°F differential = 2 °C/4 °F
77	F12	30	condenser fan off delay after compressor off	0... 240 s if P4 = 1
78	F17	60	evaporator fan off time with low humidity	0... 240 s
79	F18	10	evaporator fan on time with low humidity	0... 240 s
<b>DIGITAL INPUTS</b>				
N.	PAR.	DEF.	DIGITAL INPUTS	MIN... MAX.
80	i0	5	door switch input function	0 = disabled 1 = compressor + evaporator fan off 2 = evaporator fan off 3 = cabinet light on 4 = compressor + evaporator fan off, cabinet light on 5 = evaporator fan off + cabinet light on
81	i1	0	door switch input activation	0 = with contact closed 1 = with contact open
82	i2	30	open door alarm delay	-1... 120 min -1 = disabled
83	i3	15	regulation inhibition maximum time with door open	-1... 120 min -1 = until the closing
84	i4	0	enable open door alarm recording (not available in the models without dock)	0 = no 1 = yes if i2 = -1 and after i2
85	i5	8	multi-purpose input function	0 = disabled 1 = energy saving 2 = IA alarm 3 = iSD alarm 4 = button-operated load 1 on 5 = button-operated load 2 on 6 = device on/off 7 = LP alarm 8 = C1t alarm 9 = C2t alarm
86	i6	0	multi-purpose input activation	0 = with contact closed 1 = with contact open
87	i7	0	multi-purpose input alarm delay	0... 120 min if i5 = 3, 8 or 9, compressor on delay after alarm reset
88	i8	0	number of multi-purpose input activations for high pressure alarm	0... 15 0 = disabled if i5 = 3
89	i9	240	reset counter time for high pressure alarm	1... 999 min
90	i10	0	door closed consecutive time for energy saving	0... 999 min after regulation temperature < SP 0 = disabled
91	i13	180	number of door openings for defrost	0... 240 0 = disabled
92	i14	32	door open consecutive time for defrost	0... 240 min 0 = disabled
<b>DIGITAL OUTPUTS</b>				
N.	PAR.	DEF.	DIGITAL OUTPUTS	MIN... MAX.
93	u1c	0	relay K1 configuration	0 = first compressor 1 = second compressor 2 = evaporator fan 3 = condenser fan 4 = defrost 5 = cabinet light 6 = demisting 7 = door heaters 8 = heater for neutral zone 9 = dripping heater 10 = button-operated load 1 11 = button-operated load 2 12 = alarm 13 = on/stand-by
94	u2c	4	relay K2 configuration	0 = first compressor 1 = second compressor 2 = evaporator fan 3 = condenser fan 4 = defrost 5 = cabinet light 6 = demisting 7 = door heaters 8 = heater for neutral zone 9 = dripping heater 10 = button-operated load 1 11 = button-operated load 2 12 = alarm 13 = on/stand-by
95	u3c	5	relay K3 configuration	0 = first compressor 1 = second compressor 2 = evaporator fan 3 = condenser fan 4 = defrost 5 = cabinet light 6 = demisting 7 = door heaters 8 = heater for neutral zone 9 = dripping heater 10 = button-operated load 1 11 = button-operated load 2 12 = alarm 13 = on/stand-by
96	u4c	2	relay K4 configuration (not available in EVJ203 and EVJ213)	0 = first compressor 1 = second compressor 2 = evaporator fan 3 = condenser fan 4 = defrost 5 = cabinet light 6 = demisting 7 = door heaters 8 = heater for neutral zone 9 = dripping heater 10 = button-operated load 1 11 = button-operated load 2 12 = alarm 13 = on/stand-by

97	u5c	3	relay K5 configuration (not available in EVJ203, EVJ213, EVJ204 and EVJ214)	0 = first compressor 1 = second compressor 2 = evaporator fan 3 = condenser fan 4 = defrost 5 = cabinet light 6 = demisting 7 = door heaters 8 = heater for neutral zone 9 = dripping heater 10 = button-operated load 1 11 = button-operated load 2 12 = alarm 13 = on/stand-by
98	u6c	11	relay K6 configuration (only available in EVJ206 and EVJ216)	0 = first compressor 1 = second compressor 2 = evaporator fan 3 = condenser fan 4 = defrost 5 = cabinet light 6 = demisting 7 = door heaters 8 = heater for neutral zone 9 = dripping heater 10 = button-operated load 1 11 = button-operated load 2 12 = alarm 13 = on/stand-by
99	u2	0	enable cabinet light and button-operated load in stand-by	0 = no 1 = yes manual
100	u4	1	enable alarm output off silencing the buzzer	0 = no 1 = yes
101	u5	-1.0	threshold for door heaters on	-99... 99 °C/°F differential = 2 °C/4 °F
102	u6	5	demisting on duration	1... 120 min
103	u7	-5.0	neutral zone threshold for heating (relative to setpoint)	-99... 99 °C/°F differential = 2 °C/4 °F setpoint + u7
104	u9	1	enable alarm buzzer	0 = no 1 = yes
<b>REAL TIME CLOCK</b>				
N.	PAR.	DEF.	REAL TIME CLOCK	MIN... MAX.
105	Hr0	0	enable clock (default 0 in EVJ203, EVJ204, EVJ205 and EVJ206)	0 = no 1 = yes
<b>ENERGY SAVING (if r5 = 0)</b>				
N.	PAR.	DEF.	ENERGY SAVING (if r5 = 0)	MIN... MAX.
106	HE2	0	energy saving maximum duration	0... 999 min
<b>REAL TIME ENERGY SAVING (if r5 = 0)</b>				
N.	PAR.	DEF.	REAL TIME ENERGY SAVING (if r5 = 0)	MIN... MAX.
107	H01	0	energy saving time	0... 23 h
108	H02	0	energy saving maximum duration	0... 24 h
<b>REAL TIME DEFROST (if d8 = 4)</b>				
N.	PAR.	DEF.	REAL TIME DEFROST (if d8 = 4)	MIN... MAX.
109	Hd1	h-	1st daily defrost time	h- = disabled
110	Hd2	h-	2nd daily defrost time	h- = disabled
111	Hd3	h-	3rd daily defrost time	h- = disabled
112	Hd4	h-	4th daily defrost time	h- = disabled
113	Hd5	h-	5th daily defrost time	h- = disabled
114	Hd6	h-	6th daily defrost time	h- = disabled
<b>DATA-LOGGING (not available in EVJ203, EVJ204, EVJ205 and EVJ206)</b>				
N.	PAR.	DEF.	DATA-LOGGING (not available in EVJ203, EVJ204, EVJ205 and EVJ206)	MIN... MAX.
115	Sd0	30	SD card writing interval in HAOP mode	1... 30 min
116	Sd1	1	SD card writing interval in service mode	1... 30 min
117	Sd2	60	service mode duration	1... 240 min
118	Sd3	0	enable critical temperature recording	0 = no 1 = yes
119	Sd4	0	enable cabinet temperature recording	0 = no 1 = yes
120	Sd5	1	decimal separator type	0 = comma 1 = point
<b>SAFETIES</b>				
N.	PAR.	DEF.	SAFETIES	MIN... MAX.
121	POF	1	enable ON/STAND-BY key	0 = no 1 = yes
122	Loc	1	enable keyed lock (default 0 in the models with open-frame user interface)	0 = no 1 = yes
123	PAS	-19	password	-99... 999
124	PA1	426	level 1 password	-99... 999
125	PA2	824	level 2 password	-99... 999
<b>DATA-LOGGING EVLINK</b>				
N.	PAR.	DEF.	DATA-LOGGING EVLINK	MIN... MAX.
126	rE0	60	data-logger sampling interval	0... 240 min
127	rE1	4	recorded temperature	0 = none 1 = cabinet 2 = evaporator 3 = auxiliary 4 = cabinet and evaporator 5 = all
<b>MODBUS</b>				
N.	PAR.	DEF.	MODBUS	MIN... MAX.
128	LA	247	MODBUS address	1... 247
129	Lb	2	MODBUS baud rate	0 = 2,400 baud 1 = 4,800 baud 2 = 9,600 baud 3 = 19,200 baud
130	LP	2	parity	0 = none 1 = odd 2 = even
<b>BLUETOOTH</b>				
N.	PAR.	DEF.	BLUETOOTH	MIN... MAX.
131	BLE	1	enable Bluetooth	0 = no 1 = yes

9 ALARMS			
COD.	DESCRIPTION	RESET	TO CORRECT
Pr1	cabinet probe alarm	automatic	- check P0
Pr2	evaporator probe alarm	automatic	- check probe integrity
Pr3	auxiliary probe alarm	automatic	- check electrical connection
rtc	clock alarm	manual	set date, time and day of the week
AL	low temperature alarm	automatic	check A0, A1 and A2
AH	high temperature alarm	automatic	check A4 and A5
id	open door alarm	automatic	check i0 and i1
PF	power failure alarm	manual	- touch a key - check electrical connection
COH	high condensation warning	automatic	check C6
CSd	high condensation alarm	manual	- switch the device off and on - check C7
iA	multi-purpose input alarm	automatic	check i5 and i6
iSd	high pressure alarm	manual	- switch the device off and on - check i5, i6, i8, i9
LP	low pressure alarm	automatic	check i5 and i6
C1t	compressor thermal switch alarm	automatic	check i5 and i6
C2t	second compressor thermal switch alarm	automatic	check i5 and i6
dFd	defrost timeout alarm	manual	- touch a key - check d2, d3 and d11
FUL	SD card full alarm	manual	free up space on the SD card or replace it
Sd	No SD card inserted alarm	manual	insert the SD card or replace it

10 TECHNICAL SPECIFICATIONS			
Purpose of the control device		Function controller	
Construction of the control device		Built-in electronic device	
Container	Models in plastic container	Black, self-extinguishing	
	Open-frame models	Open-frame board	

Category of heat and fire resistance			D
Measurements	Models in plastic container	111.4 × 76.4 × 48.0 mm (4 3/8 × 3 × 1 15/16 in)	
	Open-frame models	101.0 × 67.0 × 47.0 mm (4 × 2 5/8 × 1 7/8 in)	
Mounting methods for the control device	Models in plastic container	To be fitted to a panel, with elastic holding flaps	
	Open-frame models	To be installed from behind, with threaded studs and membrane keypad (not provided)	
Degree of protection provided by the covering	Models in plastic container	IP65 (front), on condition the device is fitted to a metal panel with thickness 0.8 mm (1/32 in)	
	Open-frame models	IP00	
<b>Connection method</b>			
Fixed screw terminal blocks for wires up to 2.5 mm <sup>2</sup> (removable screw terminal blocks for wires up to 2.5 mm <sup>2</sup> by request)			
Fico-Blade connector	Micro-MatCh connector		
Maximum permitted length for connection cables			
Power supply: 10 m (32.8 ft)	Analogue inputs: 10 m (32.8 ft)		
Digital inputs: 10 m (32.8 ft)	Digital outputs: 10 m (32.8 ft)		
Operating temperature	From -5 to 55 °C (from 23 to 131 °F)		
Storage temperature	From -25 to 70 °C (from -13 to 158 °F)		
Operating humidity	Relative humidity without condensate from 10 to 90%		
Pollution status of the control device			
2			
<b>Conformity</b>			
RoHS 2011/65/CE	WEEE 2012/19/EU	REACH (EC) Regulation 1907/2006	
EMC 2014/30/UE		LVD 2014/35/UE	
<b>Power supply</b>			
12 VAC (+10% -15%), 50/60 Hz (±3 Hz), max. 4 VA insulated		12 VDC (+10% -15%), max. 3.5 W insulated	
<b>Earthing methods for the control device</b>			
None			
<b>Rated impulse-withstand voltage</b>			
4 kV			
<b>Over-voltage category</b>			
III			
<b>Software class and structure</b>			
A			
<b>Clock</b>			
Clock		Incorporated secondary lithium battery (clock not available in EVJ203, EVJ204, EVJ205 and EVJ206)	
<b>Clock drift</b>			
≤ 60 s/month at 25 °C (77 °F)			
<b>Clock battery autonomy in the absence of a power supply</b>			
> 24 h at 25 °C (77 °F)			
<b>Clock battery charging time</b>			
24 h (the battery is charged by the power supply of the device)			
<b>Analogue inputs</b>			
2 for PTC or NTC probes (cabinet probe and evaporator probe)			
PTC probes	Sensor type	KTY 81-121 (990 Ω @ 25 °C, 77 °F)	
	Measurement field	From -50 to 150 °C (from -58 to 302 °F)	
	Resolution	0.1 °C (1 °F)	
NTC probes	Sensor type	B3435 (10 kΩ @ 25 °C, 77 °F)	
	Measurement field	From -40 to 105 °C (from -40 to 221 °F)	
	Resolution	0.1 °C (1 °F)	
<b>Digital inputs</b>			
1 dry contact (door switch)			
Dry contact	Contact type	5 VDC, 2 mA	
	Power supply	None	
	Protection	None	
<b>Other inputs</b>			
Input configurable for analogue input (auxiliary probe) or digital input (multi-purpose input)			
<b>Digital outputs</b>			
6 (5 for EVJ205 and EVJ215, 4 for EVJ204 and EVJ214, 3 for EVJ203 and EVJ213) with electro-mechanical relay			
<b>The maximum total current allowed on the loads is 24 A</b>			
Relay K1	SPST, 16 A res. @ 250 VAC		
Relay K2	SPST, 30 A res. @ 250 VAC in EVJ215?217?3??? and EVJ216?217?3???		
Relay K3	SPST, 16 A res. @ 250 VAC		
Relay K4 (not available in EVJ203 and EVJ213)	SPST, 8 A res. @ 250 VAC		
Relay K5 (not available in EVJ203, EVJ213, EVJ204 and EVJ214)	SPST, 3 A res. @ 250 VAC		
Relay K6 (only available in EVJ206 and EVJ216)	SPDT, 8 A res. @ 250 VAC		
The device guarantees double insulation between each digital output connector and the rest of the components of the device			
<b>Type 1 or Type 2 Actions</b>		Type 1	
<b>Additional features of Type 1 or Type 2 actions</b>			
C			
<b>Displays</b>			
Custom display, 3 digit, with function icons			
<b>Alarm buzzer</b>			
Incorporated			
<b>Communications ports</b>			
1 TTL MODBUS slave port for EVconnect app, EPOCA remote monitoring system or for BMS		1 port for SD card data-logger module EVBD05 (not available in EVJ203, EVJ204, EVJ205 and EVJ206)	
<b>N.B.</b> The device must be disposed of according to local regulations governing the collection of electrical and electronic waste.			
This document and the solutions contained therein are the intellectual property of EVCO and thus protected by the Italian Intellectual Property Rights Code (CPI). EVCO imposes an absolute ban on the full or partial reproduction and disclosure of the content other than with the express approval of EVCO. The customer (manufacturer, installer or end-user) assumes all responsibility for the configuration of the device. EVCO accepts no liability for any possible errors in this document and reserves the right to make any changes, at any time without prejudice to the essential functional and safety features of the equipment.			
<b>EVCO S.p.A.</b> Via Feltrina, 32036 Sedico (BL) ITALY Tel. 0437/8422   Fax 0437/83648 Every Control Group email info@evco.it   web www.evco.it			